



FORD PERFORMANCE

302 Head Gasket and Bolt Kit M-6051-D50

NO PART OF THIS DOCUMENT MAY BE REPRODUCED WITHOUT PRIOR AGREEMENT AND WRITTEN PERMISSION OF FORD PERFORMANCE PARTS

Please visit www.performanceparts.ford.com for the most current instruction and warranty information.

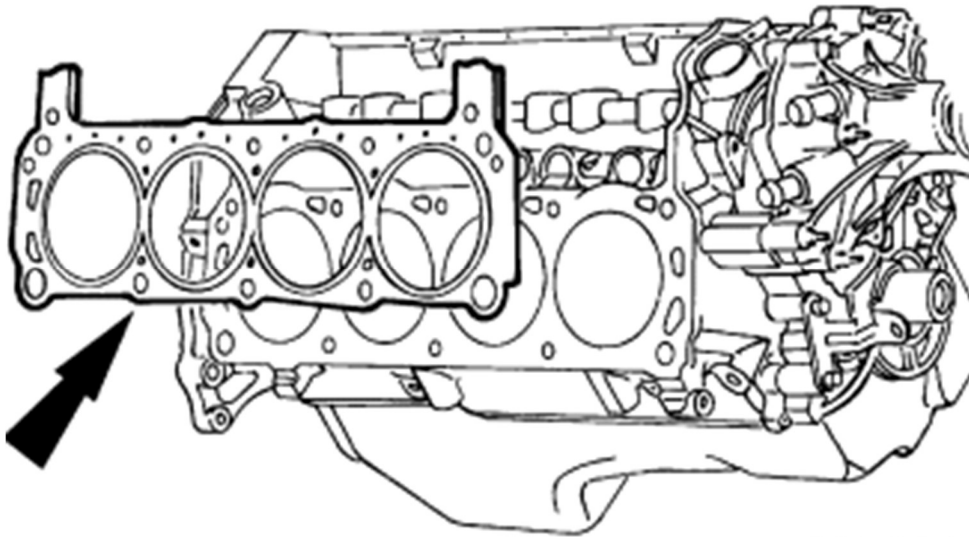
PLEASE READ ALL OF THE FOLLOWING INSTRUCTIONS CAREFULLY PRIOR TO INSTALLATION. AT ANY TIME YOU DO NOT UNDERSTAND THE INSTRUCTIONS, PLEASE CALL THE FORD PERFORMANCE TECHLINE AT 1-800-367-3788

Kit contains:

- 2 – Head gaskets
- 10 – long head bolts
- 9 – short head bolts
- 1 – short head bolt w/stud

Note: This is a specially treated composition gasket is used. Do not apply a sealer to gasket.

1. Clean the head gasket surfaces
2. Position the head gasket over the two dowel pins.



GA0708-A

3. Install the cylinder head on the head gasket and loosely install the new bolts.

Note: Lubricate the long head bolts with 30wt oil. No lubricant on short bolts.

Factory Ford shop manuals are available from Helm Publications, 1-800-782-4356

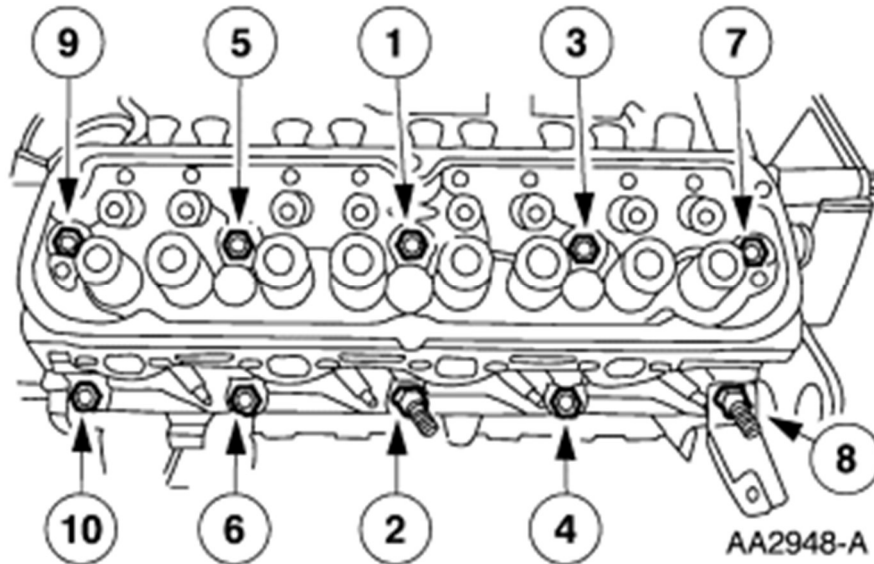


FORD PERFORMANCE

302 Head Gasket and Bolt Kit M-6051-D50

NO PART OF THIS DOCUMENT MAY BE REPRODUCED WITHOUT PRIOR AGREEMENT AND WRITTEN PERMISSION OF FORD PERFORMANCE PARTS

4. Tighten the bolts in three steps.
- Step 1: Tighten to 34-47 Nm (25-35 lb/ft).
 - Step 2: Tighten to 61-75 Nm (45-55 lb/ft).
 - Step 3: Tighten an additional 85-90 degrees.



Factory Ford shop manuals are available from Helm Publications, 1-800-782-4356